

Description

Centric butterfly valve with elastomer liner for liquids and gases in the industrial range, general services, water treatment, ...

Product features

- Body construction D1 Wafer Sizes 1" to 40"
D3 Lug Sizes 1" to 24"
D4 U-section Sizes 6" to 64"
- Face to face dimension according to ISO 5752/20, EN 558-1/20
- Design according to ISO 593 / API 609 category A (under request)
- Top flange according to EN ISO 5211
- Max. working pressure 232 psi
- Rating ANSI cl 150, PN6, PN10, PN16
- Temperature range -4°F to 284°F according to material
- Tightness test according to EN 12266-1/P12 leakage rate A, test fluid water according to API 598 (under request)



CE

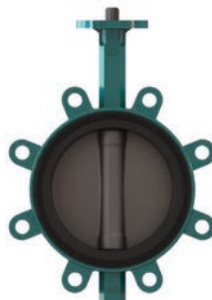
The butterfly valves DESPONIA meet the safety requirements of the pressure Equipments Directive 2014/68/UE (PED) appendix 1 for fluids of the groups 1 and 2.

SIL

Butterfly valves DESPONIA are suitable to be operated in safety related systems according to IEC 61508 / 61511, Safety Integrity Level SIL 2



D1
Wafer



D3
Lug

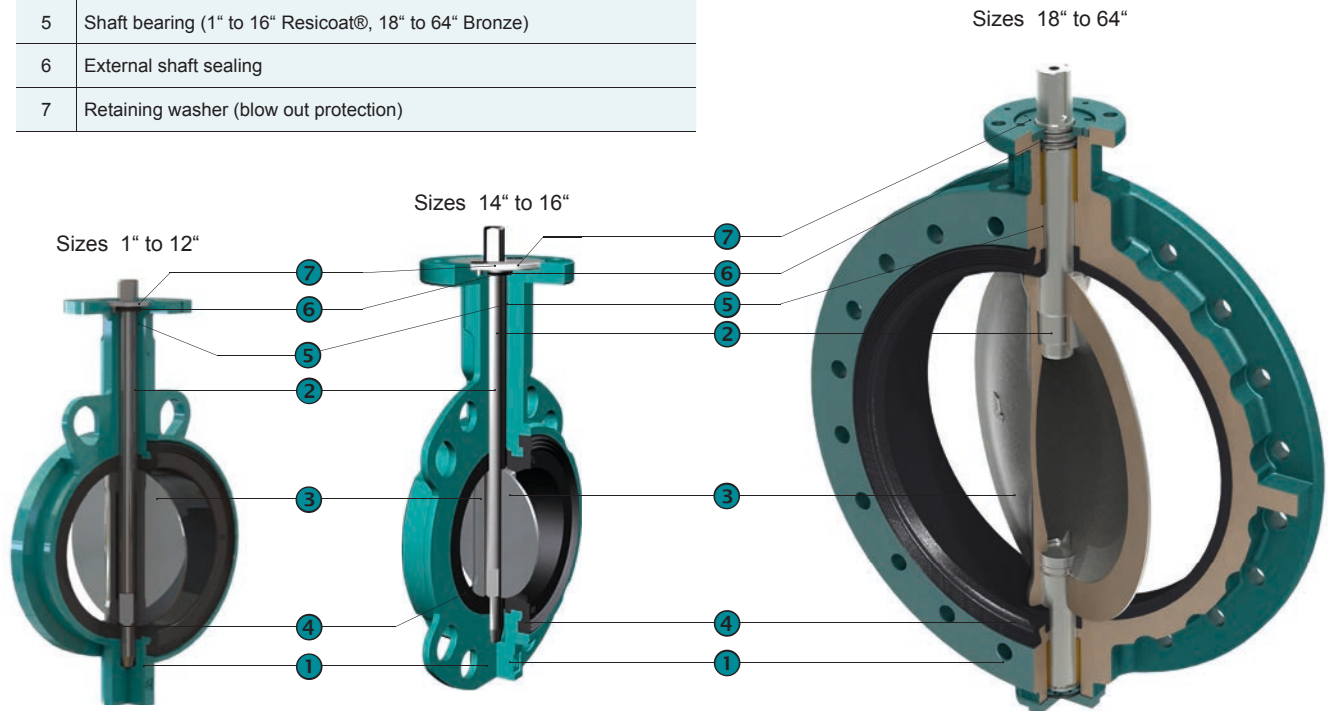


D4
U-section

DESPONIA - Butterfly Valves Sizes 1" to 64"

Construction

1	Body (extended valve neck allowing insulation)
2	Blow out proof shaft with position indication
3	Disc
4	Exchangeable liner with sealing grooves on the tightening face
5	Shaft bearing (1" to 16" Resicoat®, 18" to 64" Bronze)
6	External shaft sealing
7	Retaining washer (blow out protection)



Cv values

opening angle of the valve

Sizes	20°	30°	40°	50°	60°	70°	80°	90°
(1) 1 ¼		1,7	5,8	11,6	17,4	30,2	39,4	46,4
1 ½		3,1	9,9	18,6	29,0	42,9	53,4	58,0
2	2,3	8,1	17,4	32,5	52,2	78,9	102	116
2 ½	3,5	12,8	27,8	55,7	98,6	160	209	244
3	9,3	25,5	58,0	96,3	155	267	362	418
4	17,4	40,6	81,2	151	261	476	679	754
5	32,5	81,2	157	267	418	696	1067	1218
6	38,3	110	238	371	673	1137	1636	1879
8	69,6	203	412	673	1056	1856	2842	3248
10	153	394	684	1090	1717	2958	4582	5197
12	232	586	1032	1682	2436	4408	6914	7888
14	325	789	1392	2378	3654	5858	9396	10672
16	423	998	1740	2888	4617	7656	11832	13572
18	539	1253	2204	3654	5858	10092	15428	17632
20	673	1392	2668	4338	7134	12760	19488	21924
24	951	1856	3225	6032	10370	16820	27260	31088
28	1032	2378	4002	7018	12818	21808	36540	43036
32	1508	2958	5742	10150	16472	27260	45820	56260
36	1914	3828	7424	13688	22504	36540	60900	71108
40	2494	4930	9512	17516	27260	45704	75980	93380
48	4640	8700	14500	22968	39440	64264	114028	138272
56	6032	11739	21112	37700	59740	103820	164720	187920
64	8236	16484	30218	52200	82592	137460	227592	265060

DESPONIA - Butterfly Valves Sizes 1" to 64"

Type code

		D1	0100	.	3	3	-	2AR	.	4A	.	2AR	.	E	
		①	②	③	④	⑤	⑥	⑦	⑧						
①	Type	D1	Wafer											Sizes 1"-40"	
		D3	Lug body											Sizes 1-24"	
		D4	U-section body											Sizes 6"-64"	
②	Nominal diameter	0025-1600	mm (1" - 64")												
③	Working pressure	0	2,5 bar (36 psi)											Sizes 4"-64"	
		1	6 bar (87 psi)											Sizes 14"-64"	
		*	10/16/20 bar (145/232/290 psi), see table bellow												
④	Rating	**	PN6/10/16 see table below. Other ratings on request												
⑤	Body	1AE	Cast iron EN-GJL-250, Polyurethan coated 80µ										< 284°F	Sizes 18"-64"	
		2KR	Ductile iron EN-GJS-400-15, Epoxy (Resicoat®) coated 200µ. Wafer and Lug										< 230°F ¹⁾	Sizes 1"-12"	
		2AR	Ductile iron EN-GJS-400-15, Epoxy (Resicoat®) coated 200µ U-shape										< 230°F ¹⁾	Sizes 6" - 12"	
			Ductile iron EN-GJS-400-15, Epoxy (Resicoat®) coated 200µ										< 230°F ¹⁾	Sizes 14"-16"	
		2AE	Ductile iron EN-GJS-400-15, Polyurethan coated 80µ										< 284°F	Sizes 18"-56"	
2AN	Ductile iron EN-GJS-400-15, Polyurethan coated 250µ										< 284°F	Sizes 18"-56"			
⑥	Shaft	41	Stainless steel 1.4021, AISI420											Sizes 1"-12"	
		42	Stainless steel 1.4542 / 17-4PH											Sizes 1"-12"	
		4A	Stainless steel 1.4021, AISI420											Sizes 14"-56"	
		4L	Stainless steel 1.4542 / 17-4PH											Sizes 14"-56"	
⑦	Disc	2AR	Ductile iron EN-GJS-400-15, Rilsan coated 250µ 2)										< 194°F	Sizes 1"-28"	
		2AE	Ductile iron EN-GJS-400-15, Polyurethan coated 80µ										< 248°F	Sizes 32"-64"	
		2AC	Ductile iron EN-GJS-400-15, Chrome coated											Sizes 1"-24"	
		2AH	Ductile iron EN-GJS-400-15, Halar coated min.600µ										< 158°F		
		3OD	Carbon steel 1.0552 / GS52.3, Ultralene Coating™ coated < 176°F, pmax. 10 ≤ 12" / 6 bar > 32"											Sizes 3"-12", 32"-56"	
		4C0	Stainless steel 1.4408 ≈ CF8M 2)												
		4CP	Stainless steel 1.4408 ≈ CF8M polished											Sizes 1"-24"	
		4CQ	Stainless steel 1.4408, PEKK coated min. 400µ										< 392°F		
		4S0	Super austenitic steel 1.4588												
5C0	Alubronze ASTM B148 C95800 / G-Cu Al 10 Ni														
7H0	Hastelloy ASTM A494 CW-12MW											≥ Sizes 18" on request			
⑧	Liner	E	EPDM										< 203°F	pmax Sizes 1"-48" = 232 psi, Sizes 56"-64" = 145 psi	
		EE	EPDM DVGW, ACS, WRAS, NSF-61, EN681-1										< 203°F	pmax Sizes 1"-48" = 232 psi, Sizes 56"-64" = 145 psi	
		EC	EPDM HT										< 266°F	pmax Sizes 1"-48" = 232 psi, Sizes 56"-64" = 145 psi	
		N	Nitril (NBR)										< 212°F	pmax Sizes 1"-12" = 232 psi, Sizes 14"-64" = 145 psi	
		H	CSM (Hypalon)										< 230°F	pmax Sizes 1"-12" = 232 psi, Sizes 14"-64" = 145 psi	
		V	FPM (Viton)										< 392°F	pmax Sizes 1"-12" = 232 psi, Sizes 14"-64" = 145 psi	
		Other materials and white liners on request													




1) For temperatures between 230°F and 284°F, the valve is only tight up to next lower pressure class (e.g. PN16 valve, max. 10 bar)

2) NSF-61 approved when used in combination with EE liner

* Working pressure (Code)

Body material	Sizes →	1	1 1/4	1 1/2	2	2 1/2	3	4	5	6	8	10	12	14	16	18	20	24	28	32	36	40	48	56	64	
EN-GJL-250 (1A)	6 bar																									1
	10 bar																									
EN-GJS-400-15 (2A)	10 bar																									
	16 bar																									

**Rating (Code)

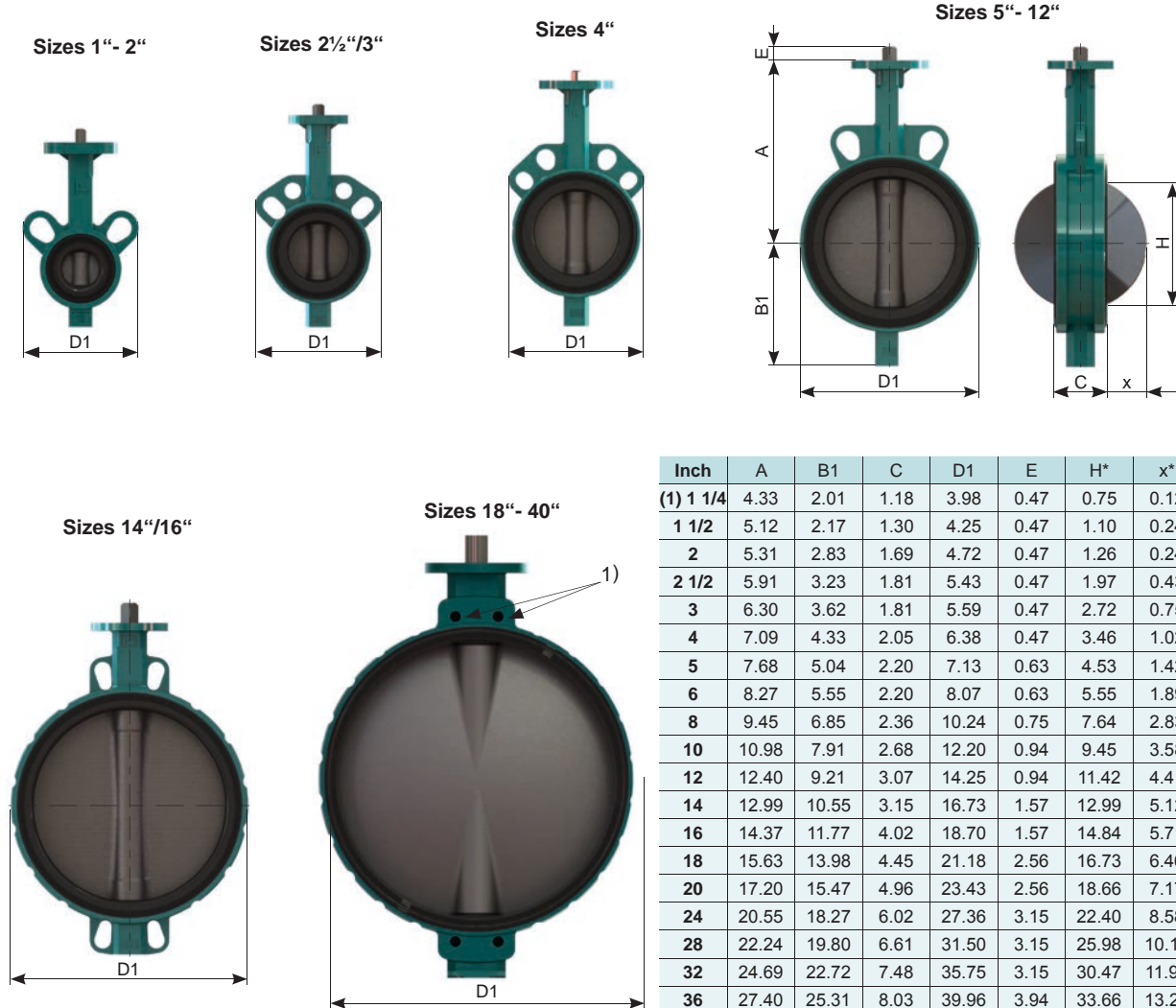
DESPONIA	Sizes →	1	1 1/4	1 1/2	2	2 1/2	3	4	5	6	8	10	12	14	16	18	20	24	28	32	36	40	48	56	64	
 D1	PN6																									
	PN10																									
	PN16																									
	ANSI cl. 150																									
 D3	PN10																									
	PN16																									
	ANSI cl. 150																									
 D4	PN10																									
	PN16																									
	ANSI cl. 150																									

Max. pressure and temperature limits of application are dependent of the working conditions.

Other executions on request!

Dimensions

D1 Wafer, Sizes 1" to 40"

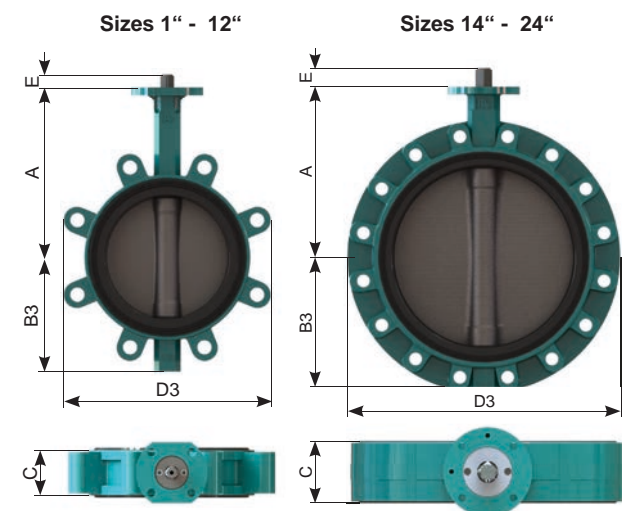


1) Sizes 18" - 40", 2 x threads on valve neck and bottom

Inch	A	B1	C	D1	E	H*	x*	[lb]
(1) 1 1/4	4.33	2.01	1.18	3.98	0.47	0.75	0.12	2.20
1 1/2	5.12	2.17	1.30	4.25	0.47	1.10	0.24	2.87
2	5.31	2.83	1.69	4.72	0.47	1.26	0.24	3.97
2 1/2	5.91	3.23	1.81	5.43	0.47	1.97	0.43	5.07
3	6.30	3.62	1.81	5.59	0.47	2.72	0.75	5.07
4	7.09	4.33	2.05	6.38	0.47	3.46	1.02	8.60
5	7.68	5.04	2.20	7.13	0.63	4.53	1.42	11.02
6	8.27	5.55	2.20	8.07	0.63	5.55	1.89	13.01
8	9.45	6.85	2.36	10.24	0.75	7.64	2.83	20.50
10	10.98	7.91	2.68	12.20	0.94	9.45	3.58	37.48
12	12.40	9.21	3.07	14.25	0.94	11.42	4.41	52.25
14	12.99	10.55	3.15	16.73	1.57	12.99	5.12	91.49
16	14.37	11.77	4.02	18.70	1.57	14.84	5.71	126.1
18	15.63	13.98	4.45	21.18	2.56	16.73	6.46	209.4
20	17.20	15.47	4.96	23.43	2.56	18.66	7.17	275.6
24	20.55	18.27	6.02	27.36	3.15	22.40	8.58	396.8
28	22.24	19.80	6.61	31.50	3.15	25.98	10.12	617.3
32	24.69	22.72	7.48	35.75	3.15	30.47	11.97	853.2
36	27.40	25.31	8.03	39.96	3.94	33.66	13.27	1106.7
40	29.33	27.28	8.58	44.61	3.94	37.80	15.08	1565.3

* When using plastic stubs please check dimension H/x to avoid damaging of disc

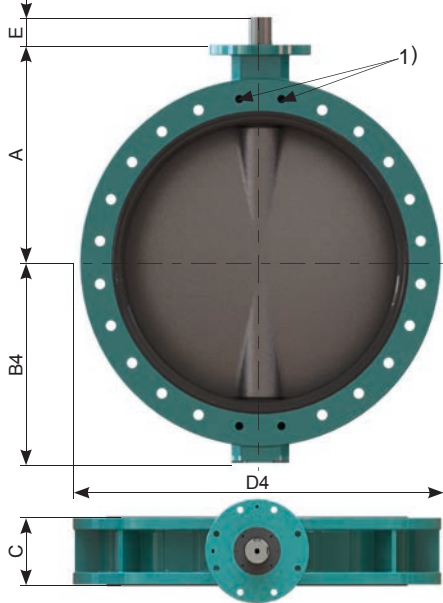
D3 Lug body, Sizes 1" to 24"



Inch	A	B3	C	D3	E	H*	x*	[lb]
1	4.33	2.01	1.18	3.98	0.47	0.75	0.12	3,31
1 1/4	4.33	2.01	1.18	3.98	0.47	0.75	0.12	3,31
1 1/2	5.12	2.13	1.3	4.25	0.47	1.1	0.24	4,19
2	5.31	2.83	1.69	4.57	0.47	1.26	0.24	5,29
2 1/2	5.91	3.23	1.81	5.16	0.47	1.97	0.43	10,58
3	6.3	3.46	1.81	7.40	0.47	2.72	0.75	8,82
4	7.09	4.02	2.05	8.62	0.47	3.46	1.02	13,67
5	7.68	4.57	2.2	9.76	0.63	4.53	1.42	16,98
6	8.27	5.04	2.2	10.79	0.63	5.55	1.89	18,52
8	9.45	6.34	2.36	13.07	0.75	7.64	2.83	36,60
10	10.98	7.83	2.68	15.83	0.94	9.45	3.58	51,81
12	12.4	9.21	3.07	18.58	0.94	11.42	4.41	71,43
14	12.99	10.16	3.15	20.47	1.57	12.99	5.12	121,3
16	14.37	11.42	4.02	22.99	1.57	14.84	5.71	165,3
18	15.63	13.98	4.45	25.79	2.56	16.73	6.46	330,7
20	17.2	15.47	4.96	28.03	2.56	18.66	7.17	374,8
24	20.55	18.27	6.02	32.64	3.15	22.4	8.58	529,1

Dimensions

D4 U-section body, Sizes 6" - 64"

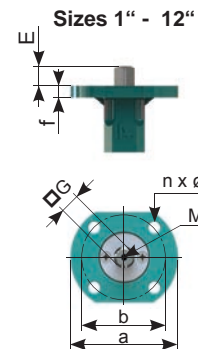


Inch	A	B4	C	D4	H*	x*	J	E	[lb]
6	8.27	5.63	2.20	11.22	5.55	1.89	0.39	0.63	33.07
8	9.45	6.69	2.36	13.39	7.64	2.83	0.49	0.75	42.99
10	10.98	7.87	2.68	15.98	9.45	3.58	0.59	0.94	67.24
12	12.4	9.41	3.07	18.98	11.42	4.41	0.59	0.94	97.00
14	12.99	10.43	3.15	20.98	12.99	5.12	0.71	1.57	130.1
16	14.37	11.65	4.02	23.50	14.84	5.71	0.79	1.57	180.8
18	15.63	13.98	4.45	25.20	16.73	6.46	0.94	2.56	260.1
20	17.20	15.47	4.96	28.15	18.66	7.17	1.02	2.56	385.8
24	20.55	18.27	6.02	33.07	22.40	8.58	1.12	3.15	573.2
28	22.24	19.8	6.61	36.50	25.98	10.12	1.24	3.15	760.6
30	23.23	21.3	6.69	38.78	27.91	10.71	1.34	3.15	959.0
32	24.69	22.72	7.48	41.73	30.47	11.97	1.44	3.15	1124.4
36	27.40	25.31	8.03	46.06	33.66	13.27	1.50	3.94	1455.0
40	29.33	27.28	8.58	49.41	37.80	15.08	1.73	3.94	1741.6
44	32.28	29.06	8.58	54.92	41.50	16.89	1.73	3.94	1873.9
48	34.69	31.73	10.00	58.46	45.24	18.19	1.85	4.72	2601.5
56	38.98	35.75	11.02	68.74	52.60	21.38	1.57	4.72	3747.9
64	43.98	41.26	12.52	75.75	61.14	24.96	1.97	6.10	5732.0

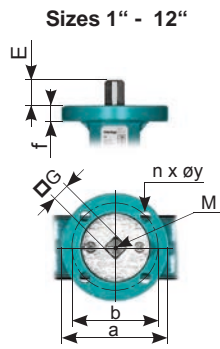
1) Sizes 18" - 64", 2 x threads on valve neck and bottom

Top flange according to ISO 5211

Wafer and Lug



U-section



Wafer and Lug

Inch	E	G	M	f	ISO	a	b	n x øy
1 - 1½	0.47	□ 0.31	M4	0.39	F05*	2.56	1.97	4x0.28
2 - 3	0.47	□ 0.43	M6	0.39	F05	2.56	1.97	4x0.28
4	0.47	□ 0.43	M6	0.39/0.39	F05/F07	2.56/3.5	1.97/2.76	4x0.28 / 4x0.37
5	0.63	□ 0.55	M6	0.39/0.39	F05/F07	2.56/3.5	1.97/2.76	4x0.28 / 4x0.37
6	0.63	□ 0.55	M6	0.39	F07	3.50	2.76	4x0.37
8	0.75	□ 0.67	M6	0.39	F07	3.50	2.76	4x0.37
10 - 12	0.94	□ 0.87	**	0.71	F10/F12	5.91	4.02/4.92	4x0.43 / 4x0.51

*F04 on request

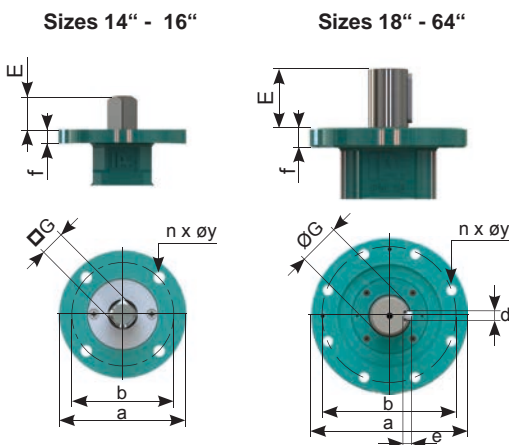
**Shaft end not threaded

U-section

Inch	E	G	M	f	ISO	a	b	n x øy
6	0.63	□ 0.55	M6	0.47	F07	3.54	2.76	4x0.35
8	0.75	□ 0.67	M6	0.47	F07	3.54	2.76	4x0.35
10 - 12	0.94	□ 0.87	M6	0.71	F10/F12	5.91	4.02/4.92	4x0.43 / 4x 0.51

**Shaft end not threaded

Wafer, Lug and U-section



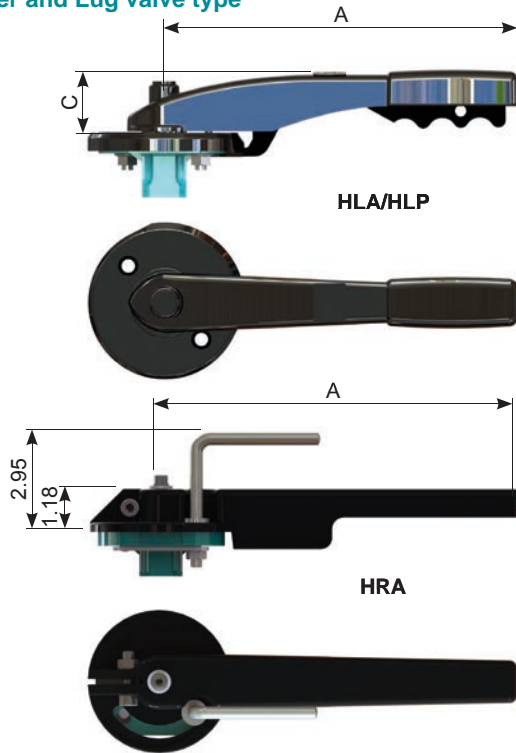
Wafer, Lug and U-section

Inch	E	G	d	e	f	ISO	a	b	n x øy
14	1.57	□ 0.87	-	-	0.71	F12	6.1	4.92	4 x 0.51
16	1.57	□ 1.06	-	-	0.71	F12	6.1	4.92	4 x 0.51
18 - 20	2.56	Ø 1.77	0.55	0.35	0.98	F14	6.89	5.51	4 x 0.71
24	3.15	Ø 2.76	0.79	0.47	0.98	F16	8.66	6.50	4 x 0.87
28	3.15	Ø 2.76	0.79	0.47	0.98	F25	11.81	10.00	8 x 0.71
(30)	3.15	Ø 2.76	0.79	0.47	1.18	F25	11.81	10.00	8 x 0.71
32	3.15	Ø 2.76	0.79	0.47	1.18	F25	11.81	10.00	8 x 0.71
36	3.94	Ø 3.15	0.87	0.55	1.18	F30	13.78	11.73	8 x 0.87
40	3.94	Ø 3.15	0.87	0.55	1.18	F30	13.78	11.73	8 x 0.87
(44)	3.94	Ø 3.15	0.87	0.55	1.18	F30	13.78	11.73	8 x 0.87
48	4.72	Ø 3.94	1.1	0.63	1.18	F30	13.78	11.73	8 x 0.87
56	4.72	Ø 4.72	1.26	0.71	1.38	F30	13.78	11.73	8 x 0.87
64	6.1	Ø 5.12	1.26	0.71	1.57	F35	16.46	14.02	8 x 1.32

Dimensions

Handlever

Wafer and Lug valve type



Aluminium, Epoxy coated

Sizes		A	C	[lb]
1 - 1½	HLA.F0508.180K	7.09	1.61	0.88
2 - 2½	HLA.F0511.180K	7.09	1.61	0.88
3	HLA.F0511.240K	9.57	1.69	1.10
4	HLA.F0711.240K	9.57	1.69	1.10
5 - 6	HLA.F0714.340K	13.39	2.01	1.32
8 ¹⁾	HLA.F0717.340K	13.39	2.01	1.32

Polyamide PA 6, 30% glass fibers reinforced

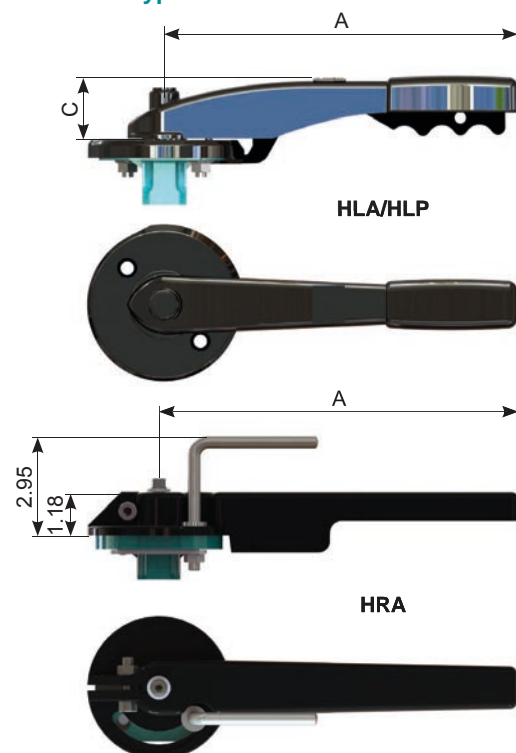
Sizes		A	C	[lb]
1 - 3	HLP.F0511.240A	9.45	2.40	1.32
4	HLP.F0711.240A	9.45	2.40	1.32
5 - 6	HLP.F0714.240A	9.45	2.40	1.32
8 ¹⁾	HLP.F0717.390A	15.35	2.60	1.98

Aluminium, Epoxy coated

Sizes		A	[lb]
1 - 1½	HRA.F0508.180K	7.09	0.88
2 - 2½	HRA.F0511.180K	7.09	0.88
3	HRA.F0511.250K	9.84	1.10
4	HRA.F0711.250K	9.84	1.10
5 - 6	HRA.F0714.340K	13.39	1.32
8 ¹⁾	HRA.F0717.340K	13.39	1.32

1) Use a gearbox for severe conditions, LF and FF executions

U-section valve type



Aluminium, Epoxy coated

Sizes		A	C	[lb]
1 - 1½	HLA.F0708.180K	7.09	1.61	0.88
2 - 2½	HLA.F0711.180K	7.09	1.61	0.88
3	HLA.F0711.240K	9.57	1.69	1.10
4	HLA.F0711.240K	9.57	1.69	1.10
5 - 6	HLA.F0714.340K	13.39	2.01	1.32
8 ¹⁾	HLA.F0717.340K	13.39	2.01	1.32

Polyamide PA 6, 30% glass fibers reinforced

Sizes		A	C	[lb]
2 - 4	HLP.F0711.240A	9.57	1.61	1.32
5 - 6	HLP.F0714.240A	13.39	2.01	1.32
8 ¹⁾	HLP.F0717.390A	13.39	2.01	1.98

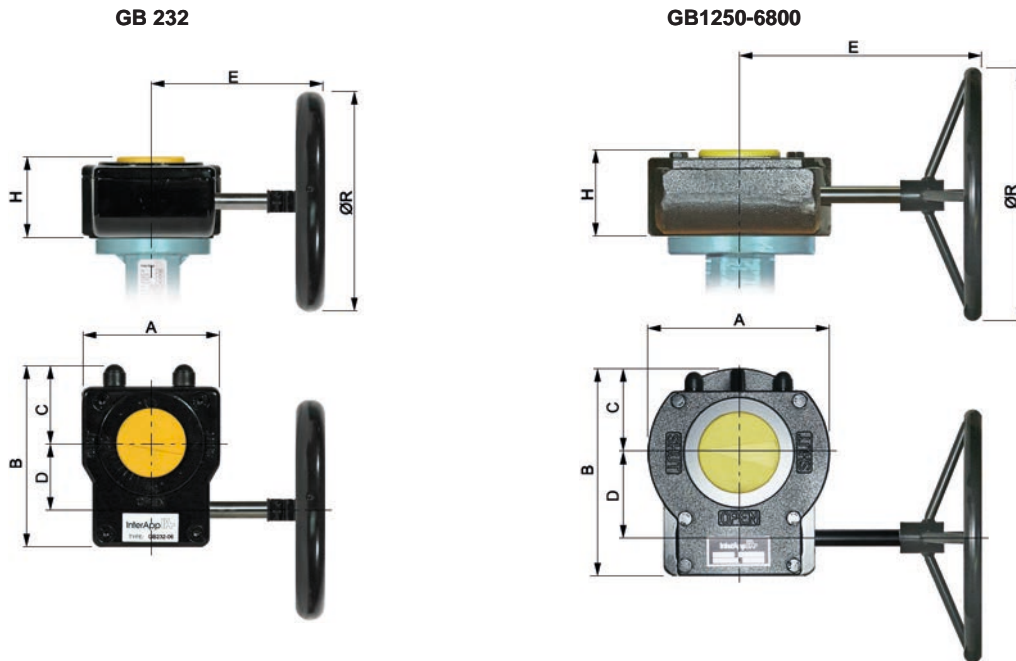
Aluminium, Epoxy coated

Sizes		A	[lb]
1 - 1½	HRA.F0708.180K	7.09	0.02
2 - 2½	HRA.F0711.180K	7.09	0.02
3	HRA.F0711.250K	9.84	0.02
4	HRA.F0711.340K	13.39	0.02
5 - 6	HRA.F0714.340K	13.39	0.02
8 ¹⁾	HRA.F0717.340K	13.39	0.02

1) Use a gearbox for severe conditions, LF and FF executions

Dimensions

Gearbox



For liquids 68°F - 176°F , p_{max} sizes 1"-12" ... 232 psi, sizes 14"-64" ... 145 psi (normal conditions)

Inch		A	B	C	D	E	H	ØR	n*	[lb]
1 - 1 1/2	GB232-05.F05-F0708.100	3.15	4.49	1.89	1.67	4.76	2.09	3.94	10	1.76
2 - 4	GB232-05.F05-F0711.100	3.15	4.49	1.89	1.67	4.76	2.09	3.94	10	1.76
5 - 6	GB232-05.F05-F0714.100	3.15	4.49	1.89	1.67	4.76	2.09	3.94	10	1.76
8	GB232-06.F05-F0717.160	3.15	4.49	1.89	1.67	7.09	2.32	6.30	10	1.98
10 - 12	GB232-08.F07-F1022.250	3.94	5.16	2.2	1.97	8.50	2.64	9.84	9.25	3.42
14	GB232-13.F10-F1222.300	6.89	8.23	3.27	3.15	14.21	3.31	11.81	10	11.90
16	GB232-13.F10-F1227.500	6.89	8.23	3.27	3.15	15.59	3.31	19.69	10	11.90
18	GB1250N.F1445.400	8.66	10.16	4.33	4.11	12.83	4.02	15.75	10	48.50
20	GB1250N.F1445.400	8.66	10.16	4.33	4.11	12.83	4.02	15.75	13.75	48.50
24	GB2000N.F1670.500	9.49	10.04	4.17	2.09	13.70	4.76	19.69	13.75	52.91
28	GB2000NLB.F2570.600-SH100	11.22	11.54	5.59	2.09	13.70	4.76	23.62	21	59.52
30	GB2000NLB.F2570.700-SH100	11.22	11.54	5.59	2.09	13.70	4.76	27.56	21	59.52
32	GB1950N/PR4.F2570.500	11.22	12.7	5.61	5.12	16.42	4.96	19.69	21	85.98
36	GB1950NLB/PR4.F3080.500-SH100	13.78	13.98	6.89	5.12	17.52	5.08	19.69	79.25	114.6
40	GB6800N/PR4.F3080.500	14.57	16.02	6.69	7.17	18.50	6.26	19.69	79.25	137.8
44	GB6800N/PR4.F3080.500	14.57	16.02	6.69	7.17	18.50	6.26	19.69	79.25	137.8
48	GB6800N/PR4.F30100.600	14.57	16.02	6.69	7.17	18.90	6.26	23.62	79.25	137.8
56	GBA200N/PR10.F30120.700	17.32	19.37	8.17	8.23	19.31	8.46	27.56	176	296.3
64	GBIW82/R720.F35130.800	20.47	20.91	10.24	2.64	23.64	7.28	31.50	176	489.4

* n = Handwheel turns ON/OFF

Material:

GB232 : Aluminium, Polyurethan coated
 GB880-GB6800 : Cast iron, Polyurethan coated

Installation at the end of a line



When installing the valve at the end of a line please consult document Installation/Maintenance DESPONIA.

Further documentation

Pneumatic actuators, Electric actuators, Accessories according separate data sheets.
Installation guide, Maintenance guide, Flanges: Please consult these guides for the installation and maintenance of our butterfly valves.

Declaración de conformidad DEP 2014/68/UE
Declaration of Conformity PED 2014/68/EU

Fabricante <i>Manufacturer</i> 	InterApp-Valcom SA Calderon de la Barca 12-14 28860 Paracuellos de Jarama España	
---------------------------------------	---	--

Declaramos, que las válvulas abajo indicadas cumplen los requisitos de la directiva 2014/68/UE.
We declare that the valves listed below comply with the requirements of the Pressure Equipment Directive 2014/68/EU.

Descripción: Válvula de mariposa <i>Description: Butterfly Valve</i>	- Desponia (Incluida S820) - Desponia <i>plus</i>	DN 25/32 – 1600 DN 25/32 – 600
---	--	-----------------------------------

Clasificación de la válvulas
Classification of the valves

Válvula de mariposa Desponia (incluida S820) DN 25/32- DN 1600
 Válvula de mariposa Desponia plus DN 25/32-600

Fluidos grupo 1 / Fluids group 1		Fluidos grupo 2 / Fluids group 2
Gases	Líquidos	Gases
DN25-32-150 PN2.5-20	DN150-200 PN1.6-PN20	DN50 PN20
DN200 PN2.5-16	DN250-300 PN10-PN20	DN65-100 PN1.6-PN20
DN250-350 PN2.5-10	DN350-800 PN6-PN20	DN125-150 PN1.0-PN20
	DN900-1200 PN2.5-PN20	DN200-250 PN6-PN20
	DN1400 PN2.5-PN16	DN300 PN6-PN16
	DN1600 PN2.5-PN10	DN350 PN6-PN10
		DN400-500 PN2.5-PN10
		DN600-800 PN2.5-PN6
		DN900-1600 PN2.5

Procedimiento de valoración de la conformidad <i>Conformity Assessment Procedure</i>	Módulo A1
Organismo Notificado para el control <i>Notified Body for the inspection</i>	TÜV Rheinland Ibérica, Inspection, Certification & Testing, S.A. N° 1027
Dirección <i>Address</i>	C/Garroba, 10-12 08820 El Prat de Llobregat.
Certificado-Nº <i>Certificate number</i>	DEP.A1.000606
Normas empleadas <i>Technical Standards used</i>	EN 593; EN 1561; EN 1563; etc
Persona autorizada por el fabricante <i>Authorised Person for the Manufacturer</i>	Responsable de Calidad / <i>Quality Manager</i>

Alberto Nieto
(Name)

Firma:
(Signature)